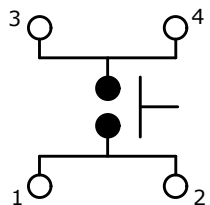
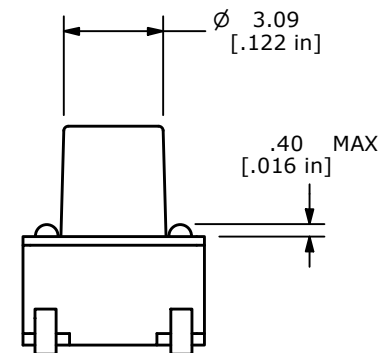
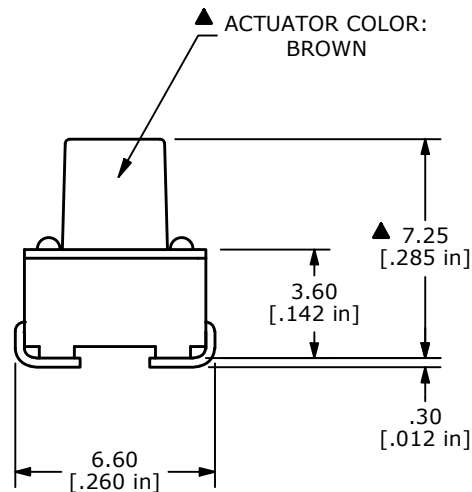
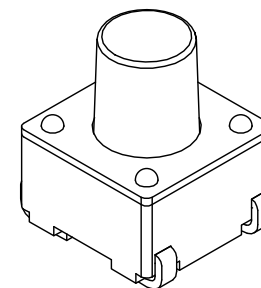
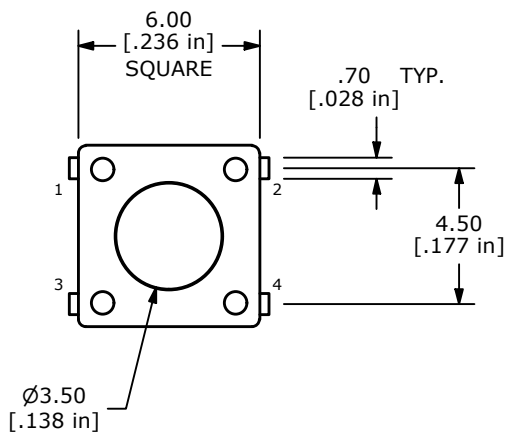


P.C.B. LAYOUT



CIRCUIT: SPST



▲ TERMINALS TO BE COPLANER WITHIN 0.10mm

NOTES:

1. ALL DIMENSIONS IN MM
2. GENERAL TOLERANCE: X.X = ±0.4
X.XX = ±0.25
3. TERM. NUMBERS FOR REFERENCE ONLY.
4. RATING: 50VDC, 50mA
- ▲ 5. OPERATING FORCE: 100 ±50 gms
6. TRAVEL: 0.25 mm +0.2/-0.1MM
7. CONTACT RESISTANCE: 100 MILLI OHMS MAX. (INITIAL)
8. MECHANICAL/ELECTRICAL LIFE 100,000 CYCLES MIN.
- ▲ 9. SILVER CONTACTS
- ▲ 10. PACKAGING: TAPE AND REEL, 750 PCS. PER REEL
11. ▲ DENOTES CRITICAL PARAMETER



B	24287	update print	4/30/20	MW
A	20798	NEW RELEASE	10/01/12	rc
REV	PCR NO	DESCRIPTION	DATE	BY

TITLE TL3301EF100QJ				
SCALE	DATE	DR	DWG	REV
4:1	10/1/2012	RC	P010664	B

THE INFORMATION CONTAINED IN THIS DOCUMENT IS PROPRIETARY TO E-SWITCH AND IS NOT TO BE COPIED OR TRANSFERRED